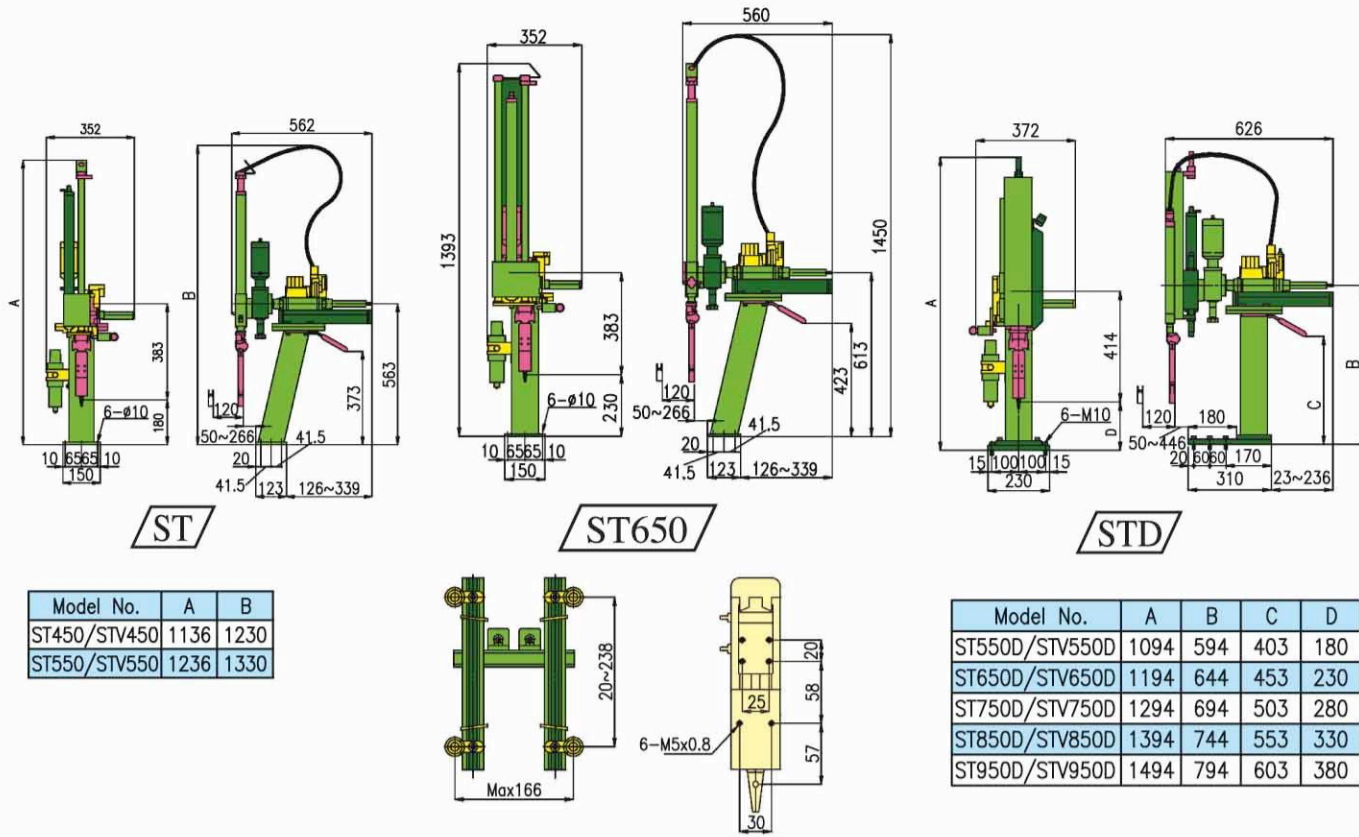


Mechanical Drawings



Technical Specifications

Model No.	Dry Cycle (Sec.)		I.M.M. Range (Tonne)	Vertical Stroke (mm)	Net Weight (Kgs)	Comp. Air Consumption (NL/Cycle)
	Take-out	Cycle				
ST450 Single-Stage	0.7	3.4	25~125	450	39	12
STV450 Single-Stage					40	17
ST550 Single-Stage	0.7	3.7	60~150	550	40	14
ST550D Telescopic	0.5	3.5			49	9.5
STV550 Single-Stage	0.7	3.7			41	19
STV550D Telescopic	0.5	3.5			51	14.5
ST650 Single-Stage	1.2	4.2	125~250	650	44	16.5
ST650D Telescopic	0.6	3.6			53	10.5
STV650 Single-Stage	1.2	4.2			45	21.5
STV650D Telescopic	0.6	3.6			54	15.5
ST750D Telescopic	0.8	3.8	200~350	750	55	11.5
STV750D Telescopic					56	16.5
ST850D Telescopic	1.0	4.0	300~450	850	57	12.5
STV850D Telescopic					58	17.5
ST950D Telescopic	1.2	4.2	400~700	950	59	13.5
STV950D Telescopic					60	18.5

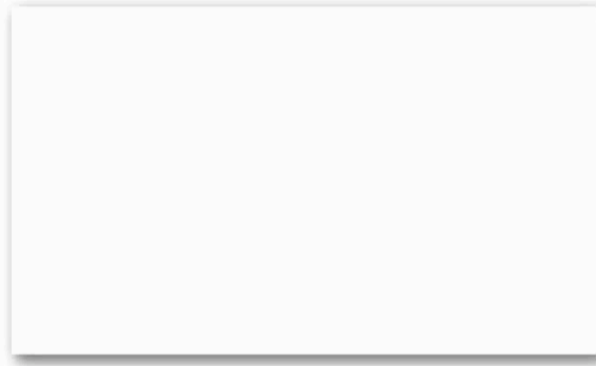
Strip Stroke: 120mm
 Operation Voltage : Single Phase 220V 50/60 HZ 1A

MAX. Payload : 3 kg
 Compressed Air : 4~6 kg/cm²



APEX ROBOT SYSTEMS, INC.

No. 5, 35th Rd., Taichung Industrial Park,
 Taichung, Taiwan, R.O.C.
 TEL: 886-4-23594239 FAX: 886-4-23597923
 E-mail: sales@apexrobot.com
 Web site: http://www.apexrobot.com



01.2007.2000



ST Series
 Swing Arm Robots

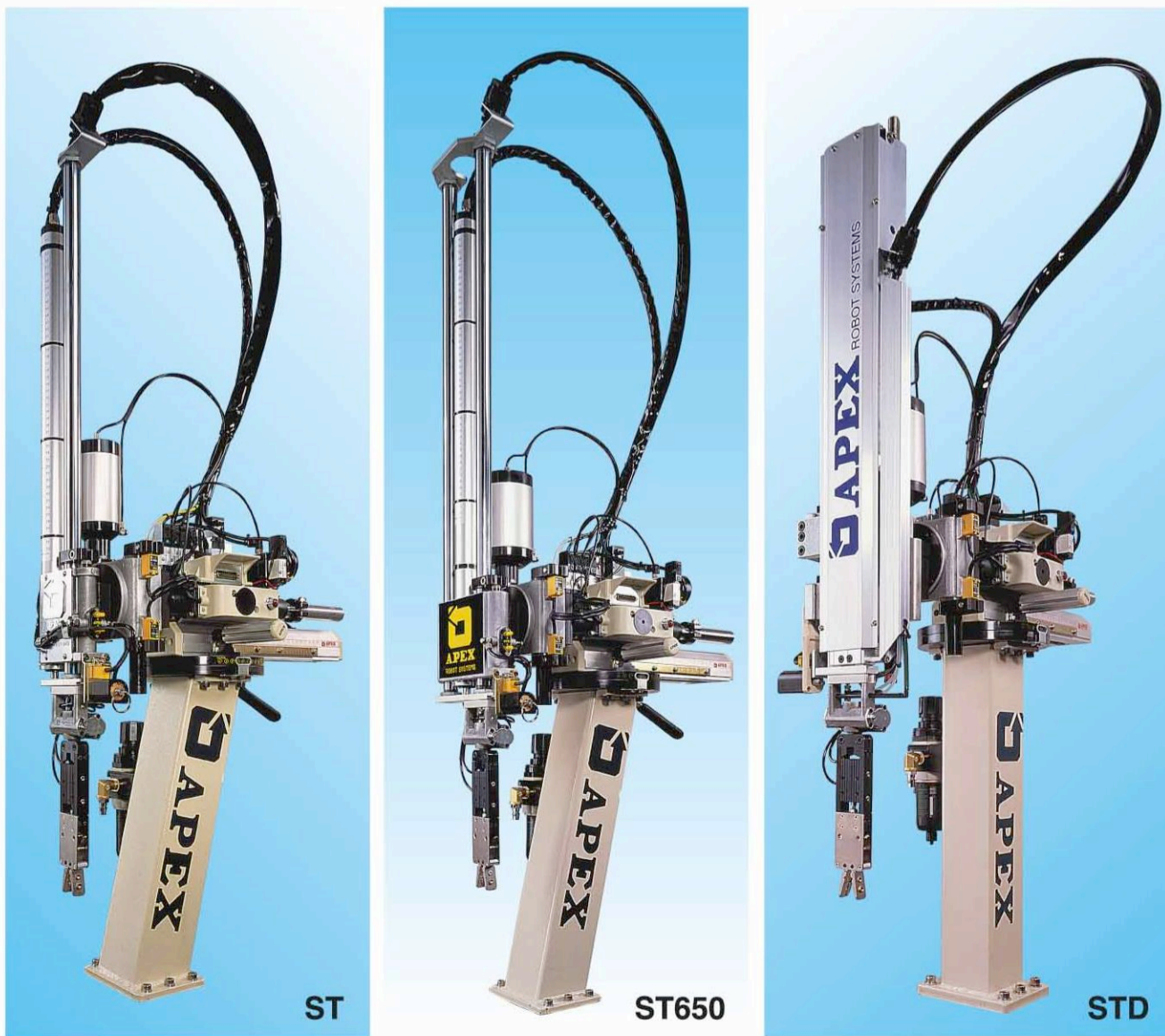


PHOTO DESIGN BY SINICRE INC. TEL: 886-4-23592838

ST Series Swing Arm Robots

- User-friendly all-in-one design.
- High quality low maintenance.
- Safe and easy to install and operate.
- Rapid cycle time, Rapid payback.

The simple way to improve quality, increase productivity and lower your costs.



Features

- 1 Wrist rotation mechanism is standard.
- 2 Modular constructed with rigid structure, virtually maintenance and trouble-free.
- 3 Individual movement and speed adjustment.
- 4 Separated control unit to avoid hustle environment.
- 5 Standard SPI or Euromap interface.
- 6 Ten standard sequences and ten fully teachable movement sequences.
- 7 Robot status and error message display on Hand-Held Controller.
- 8 Incorrect or unsafe motion cannot be accept by the program also show warning message on the display.
- 9 Safe and foolproof design.
- 10 Swing angle: 45°~90° adjustable.
 Rotation angle: 80°~100° adjustable.



Programming

- Quick started with emergency stop.
- Quality inspection program.
- Incomplete injection detection.
- Injection cycle counter setting.
- Spray counter setting.
- Alarm frequency and timer setting.
- Test mold counter setting.
- Two spare output, one spare input.
- Sandwich plate movement detector.
- Rejected parts detection.
- Quality inspection counter setting.
- Motion and timer delay setting.
- Reject parts counter setting.
- Re-definable home position.

Additional features

- 1 STV xxx model with vacuum generator and fitting.
- 2 ST xxx D model with telescope vertical arm to enhance vertical speed and reduce the robot height.
- 3 STV xxx D model with vacuum generator and fitting and telescope arm.

Optional Accessories

- 1 Standard SPI and Euromap interface plug.
- 2 End of the arm tooling accessories.

Control box



Centralize and for easy maintenance, separated to avoid hustle environment.

Vertical shock absorber



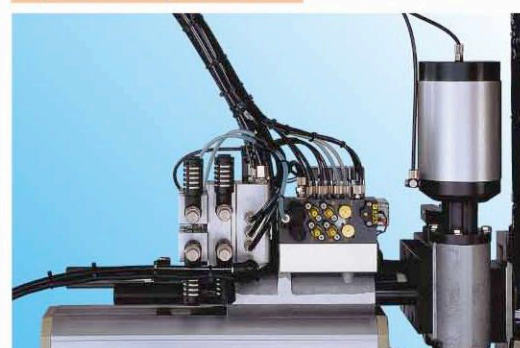
A unique pneumatic shock absorber design to minimize the shock and ensure smooth deceleration from high speeds vertical stroke.

Compact gripper



Slimmer gripper design only 20mm for tight mold access also powerful. 25kg/cm².

Speed adjustment



Clear marks speed adjustment knobs for each movement, quick respond and durable.

Telescope arm



To double up the vertical speed and reduce the overall height.

Easy swivel



Fast released ratchet handle for easy mold changes.